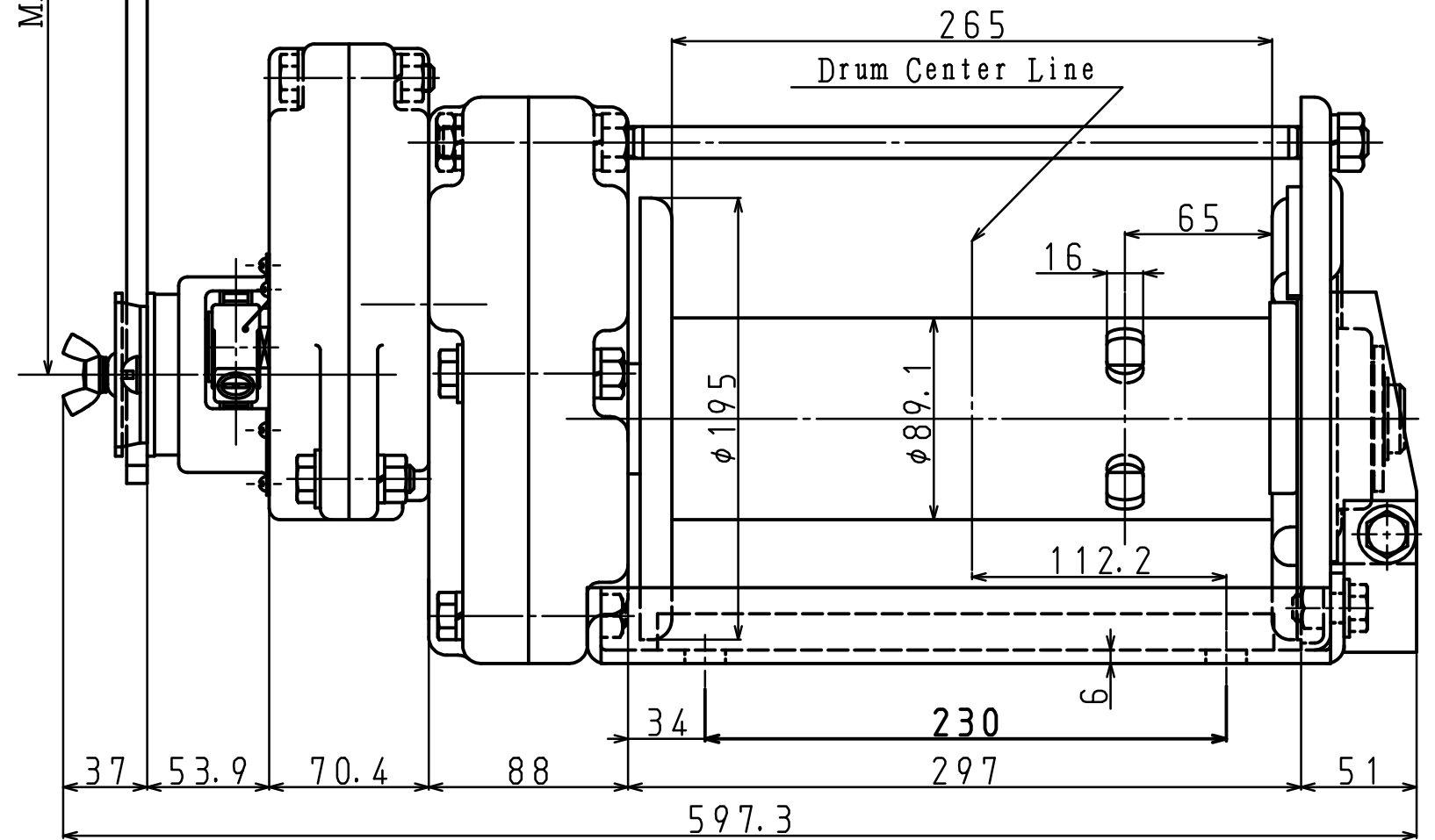


REVISION	..				
△x	..		△2x	..	
△x	..		△4x	..	

It is necessary the fleet angle is 2 degrees or less to prevent the wire rope being unevenly wound to wind the wire rope uniformly.  
Please install the pulley 3975mm or more away from the drum on the drum center line.



Specifications		(The wire rope composition is a manufacturer recommendation.)		
Model	GM-30	Handle Operation Power	Handle Length 370mm	1st Layer 137N (=13.9kgf)
Load Rating	29,400N (=3,000kgf)		Wire Rope Tension 29,400N	2nd Layer 169N (=17.2kgf)
Wire Rope Tension	(3rd Layer or Less)	Weight (Winch+Handle)	37.7 kg	
Wire Rope Length	φ12mm (6×37)×35m (4th Layer)		One Handle	
Gear Ratio	1/35.5	Standard Accessories	One Hex Wrench for Wire Lock	
Handle Length	370mm (Effective Max)			

MARK	PARTICULARS	MATERIAL	TEST PIECE	WORKING NO. REQUIRED (PER)	SPARE	TOTAL	PER ONE WEIGHT IN #	TOTAL	REMARKS
MANAGER									WORK NO.
DEPUTY MANAGER									QUANTITY
CHIEF	I. Takahashi								CLASSIFICATION
ENG'R IN CHARGE									SCALE
CHECKED BY									
DRAWN BY	T. Yonezawa								DRAWING NO.
DATE DRAWN	2010/12/01								GM30-101201-01E